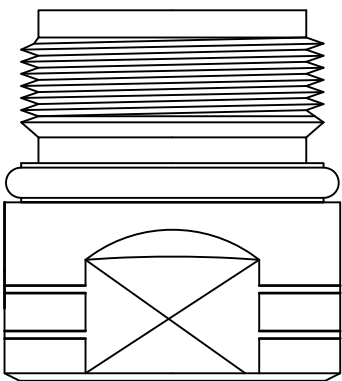
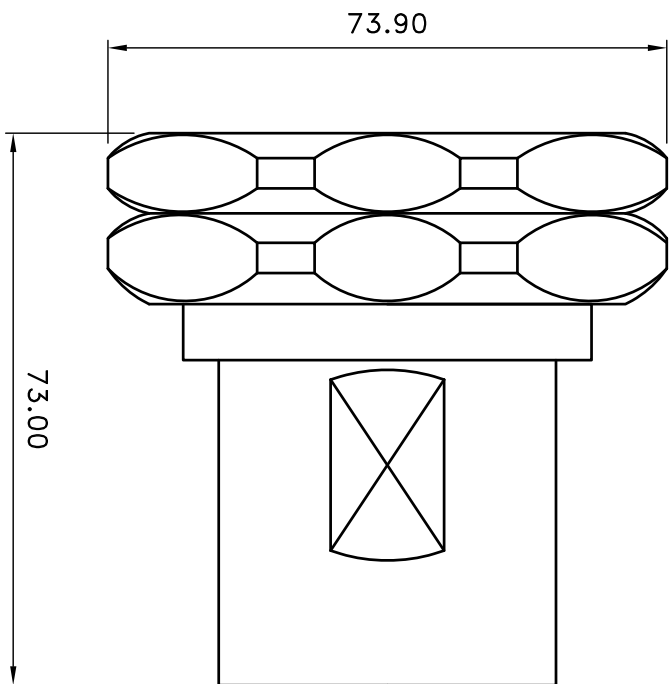



REV	DATE	DESCRIPTION	DRAWN
1			



NOTE	DIMENSION
1. STRIP ALL BURRS. 2. ALL DIMENSIONS ARE AFTER PLATING. 3. DIAMETERS ON COMMON CENTERS. 4. CHAMFER 1ST & LAST HEADS 45° WITHIN 0.1 T.I.R. 5. BREAK ALL CORNERS & EDGES CO.15 MAX.	UNLESS OTHERWISE NOTED TOLERANCES X = ±0.3 O.X = ±0.2 O.XX = ±0.1

 華耀科技有限公司 <i>Hua Yao Technologies co.,Ltd</i>	
TITLE N MALE CLAMP	
DRAWING NO.	
APPROVED	DRAWN DATE 04/23/12
CHECKED	SCALE 2:1
DRAWN ALICE	UNIT mm
	GL